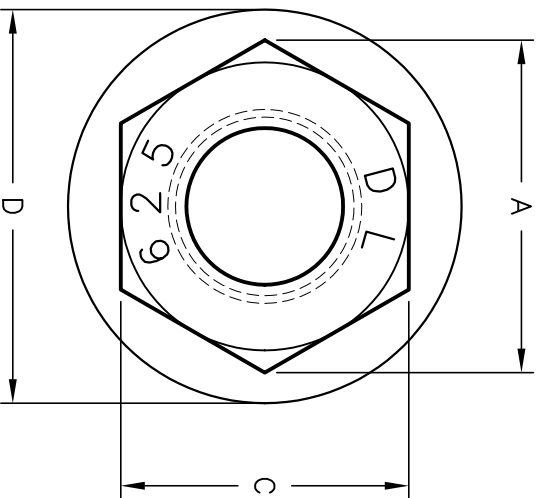
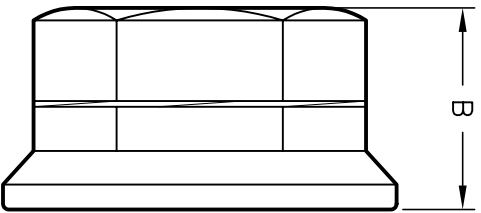


REVISIONS				
ZONE	REV	DESCRIPTION	DATE	APPROVED



PART #	A	B	C	D
NSF207-01-565	IN.	IN.	IN.	IN.
PART NAME	1.080	.825 Ref.	.950	1.250 Ref.
5/8"-18UNF DISC-LOCK NUT				

MATERIAL: 1035/45 STEEL

NOTES: HEAT TREATMENT HRC 28-36
COATING: MAGNI 565

DISC-LOCK
INTERNATIONAL

NAME
DISC-LOCK Nut

SIZE	FSCM NO.	DWG NO.	REV
A		NSF207-01-565	
SCALE	N.T.S.	SHEET	1