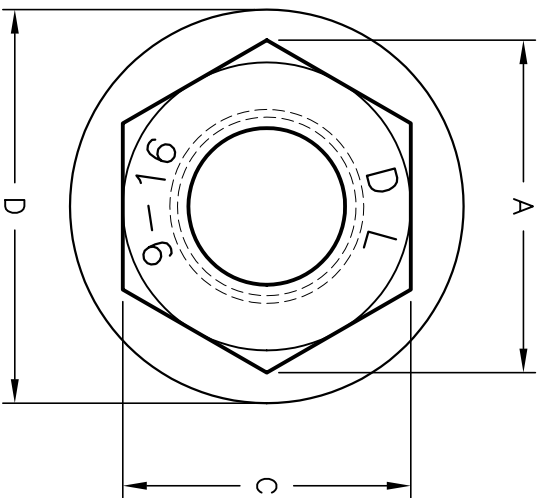
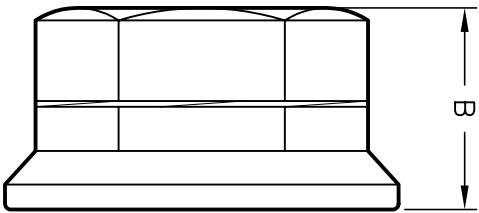


REVISIONS				
ZONE	REV	DESCRIPTION	DATE	APPROVED



PART #	A	B	C	D
NSF206-01-565	IN.	IN.	IN.	IN.
PART NAME	1.080	.825	.950	1.250
9/16"-18UNF DISC-LOCK NUT		Ref.		Ref.

MATERIAL: 1035/45 STEEL

NOTES: HEAT TREATMENT HRC 28-36
COATING: MAGNI 565

DISC-LOCK
INTERNATIONAL

DISC-LOCK Nut

NAME	SIZE	FSCM NO.	DWG NO.	REV
	A		NSF206-01-565	
SCALE	N.T.S.	SHEET	1	