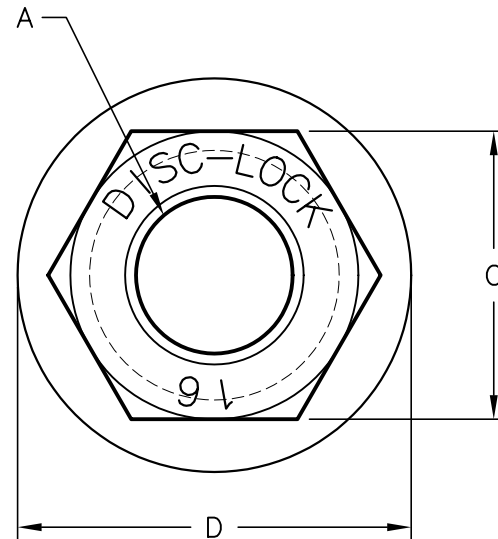
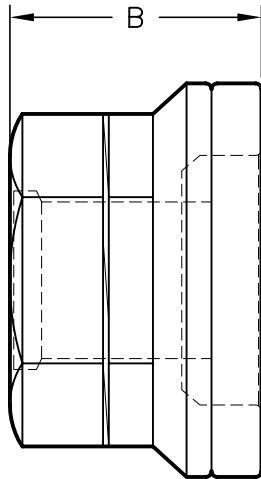


REVISIONS				
ZONE	REV	DESCRIPTION	DATE	APPROVED



PART #	A	B IN.	MM.	C IN.	MM.	D IN.	MM.
NSF-2080-S-DAC							
PART NAME	3/4-16 UNF	1.125	28.57	1.34	34.01	1.88	47.83
750-16 WHEEL NUT		1.070	27.18	1.31	33.27	1.86	47.24



MATERIAL: 1045 STEEL

NOTES: HEAT TREATMENT: HRC 30-36
COATING: DACROMET 320

NAME
DISC-LOCK Safety Wheel Nut

SIZE	FSCM NO.	DWG NO.	REV
A		DL-750-16-NSF-DAC	
SCALE	N.T.S.	SHEET	1