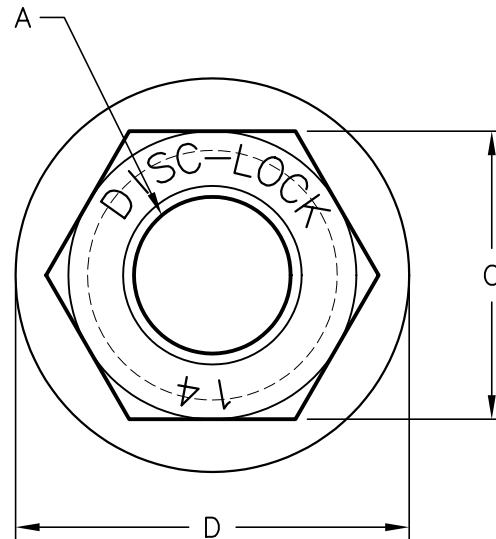
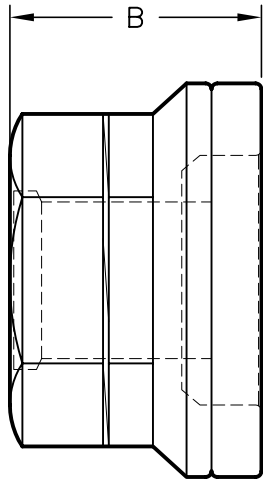


REVISIONS				
ZONE	REV	DESCRIPTION	DATE	APPROVED



PART #	A	B IN.	MM.	C IN.	MM.	D IN.	MM.
NSF-2090-S-DAC							
PART NAME	7/8-14 UNF	1.310	33.28	1.50	38.10	2.05	52.07
7/8"-14 WHEEL NUT		1.190	30.24	1.45	36.83	2.03	51.56



MATERIAL: 1045 STEEL

NOTES: HEAT TREATMENT: HRC 30-36
COATING: DACROMET 320

NAME
DISC-LOCK Safety Wheel Nut

SIZE	FSCM NO.	DWG NO.	REV
A		DL-875-NSF-DAC	
SCALE	N.T.S.	SHEET	1