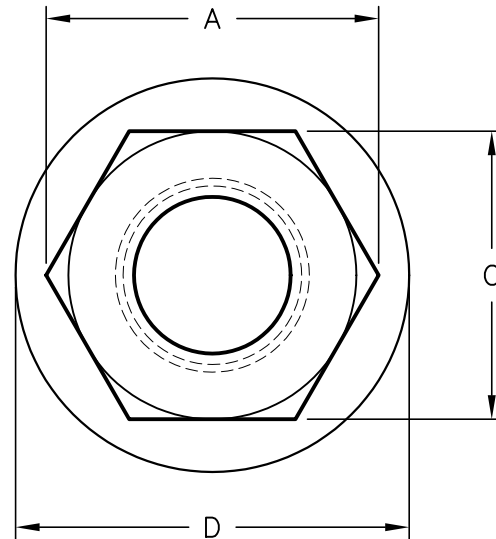
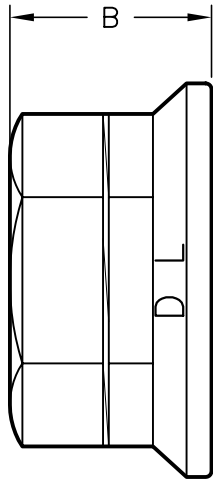


REVISIONS				
ZONE	REV	DESCRIPTION	DATE	APPROVED



PART # NSC207-01	A IN.	B IN.	C IN.	D IN.
PART NAME 5/8"-11UNC DISC-LOCK NUT	1.080 1.050	.825 Ref.	.930 .920	1.250 Ref.



MATERIAL: 1035/45 STEEL

NOTES: HEAT TREATMENT HRC 28-36
PLATING: ZINC PER ASTM B-633

NAME <i>DISC-LOCK Nut</i>			
SIZE A	FSCM NO.	DWG NO. NSC207-01	REV
SCALE N.T.S.	SHEET 1		