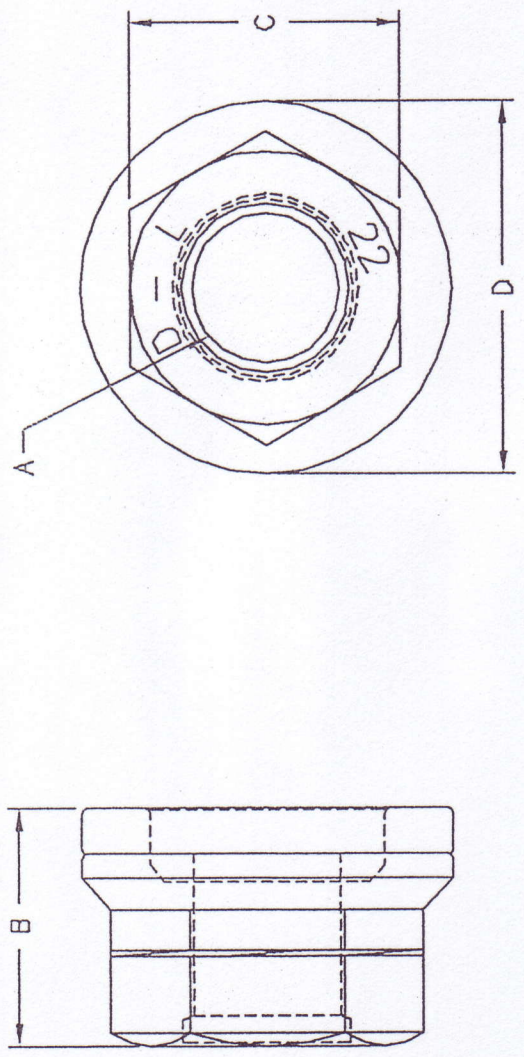


REVISIONS				
ZONE	REV	DESCRIPTION	DATE	APPROVED



PART # NMF-2090-M-GE0	A	M22x1.5 CLASS 6H	B IN.	MM.	C IN.	MM.	D IN.	MM.
			1.320	33.50	1.50	38.10	2.05	52.07
PART NAME M22x1.5 WHEEL NUT			1.220	31.00	1.45	36.63	2.03	51.56
MATERIAL: 1045 STEEL			NAME: DISC-LOCK Safety Wheel Nut					
NOTES: HEAT TREATMENT: HRC 28-32 COATING: GEOMET			SIZE: A					
			FSCM NO.			DWG NO. NMF-2090-M-GE0		
			SCALE			SHEET 1		
			N.T.S.			REV		

[Signature]
12-15-06

