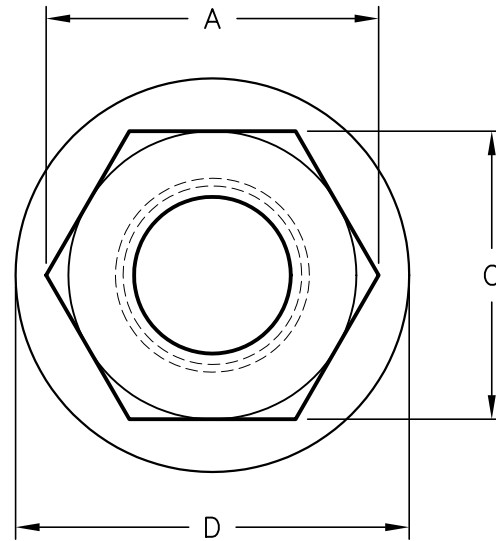
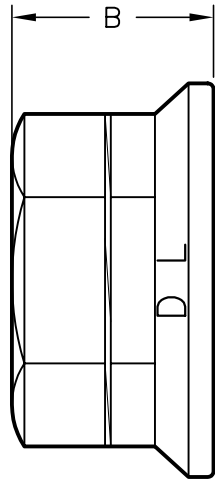


| REVISIONS |     |             |      |          |
|-----------|-----|-------------|------|----------|
| ZONE      | REV | DESCRIPTION | DATE | APPROVED |
|           |     |             |      |          |
|           |     |             |      |          |



|                                    |                |               |                |               |
|------------------------------------|----------------|---------------|----------------|---------------|
| PART #<br>NMC207-01                | A MM           | B MM          | C MM           | D MM          |
| PART NAME<br>M16X2.0 DISC-LOCK NUT | 27.43<br>26.67 | 21.00<br>Ref. | 24.13<br>23.37 | 32.00<br>Ref. |



MATERIAL: 1035/45 STEEL

NOTES: HEAT TREATMENT HRC 28-36  
PLATING: ZINC PER ASTM B-633

|                              |          |                      |     |
|------------------------------|----------|----------------------|-----|
| NAME<br><i>DISC-LOCK Nut</i> |          |                      |     |
| SIZE<br>A                    | FSCM NO. | DWG NO.<br>NMC207-01 | REV |
| SCALE                        | N.T.S.   | SHEET                | 1   |