

# **DISC-LOCK**

DWG NO: BSC-303-100-567

NAME:

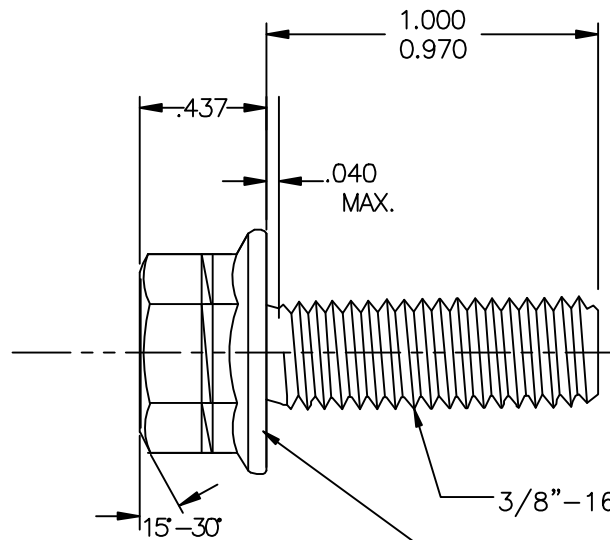
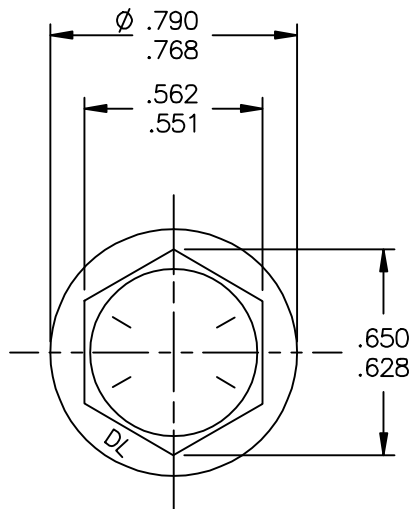
***3/8"-16 x 1" DISC-LOCK Bolt***

***DISC-LOCK Inc.***

02-18-08

PART NO:

BSC-303-100-567



HEX FLANGE WASHER  
MUST BE FREE TO ROTATE  
AFTER ROLL THREADING

MATERIAL:

SAE GRADE 8

HEAT TREAT:

RC 34-38

COATING:

MAGNI 567

DRAWING:

NOT TO SCALE

DIMENSIONS:

ALL IN INCHES