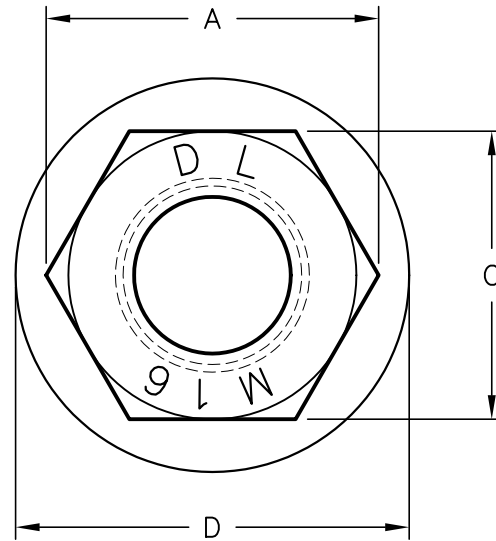
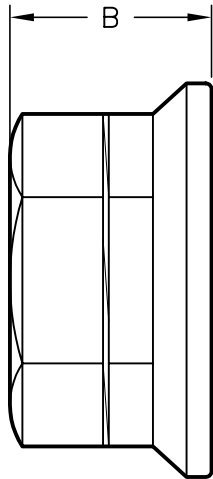


REVISIONS				
ZONE	REV	DESCRIPTION	DATE	APPROVED



PART # NMF207-01-565	A MM 27.43	B MM 21.00	C MM 24.13	D MM 32.00
PART NAME M16X1.5 DISC-LOCK NUT	26.67	Ref.	23.37	Ref.



MATERIAL: 1035/45 STEEL

NOTES: HEAT TREATMENT HRC 28-36  
PLATING: ZINC PER ASTM B-633

NAME <i>DISC-LOCK Nut</i>			
SIZE A	FSCM NO.	DWG NO. NMF207-01-565	REV
SCALE N.T.S.	SHEET 1		