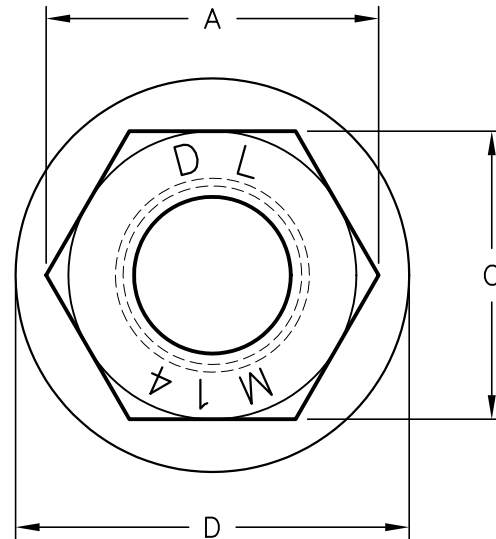
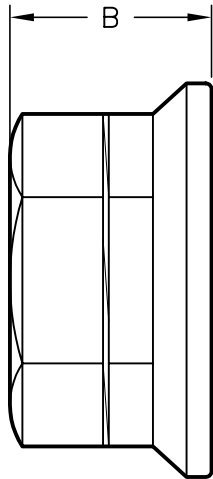


REVISIONS				
ZONE	REV	DESCRIPTION	DATE	APPROVED



PART # NMF206-01-565	A MM 27.43	B MM 21.00 Ref.	C MM 24.13	D MM 32.00 Ref.
PART NAME M14X1.5 DISC-LOCK NUT	26.67	Ref.	23.37	Ref.



MATERIAL: 1035/45 STEEL

NOTES: HEAT TREATMENT HRC 28-36  
PLATING: MAGNI 565

NAME <i>DISC-LOCK Nut</i>			
SIZE A	FSCM NO.	DWG NO. NMF206-01-565	REV
SCALE N.T.S.	SHEET 1		