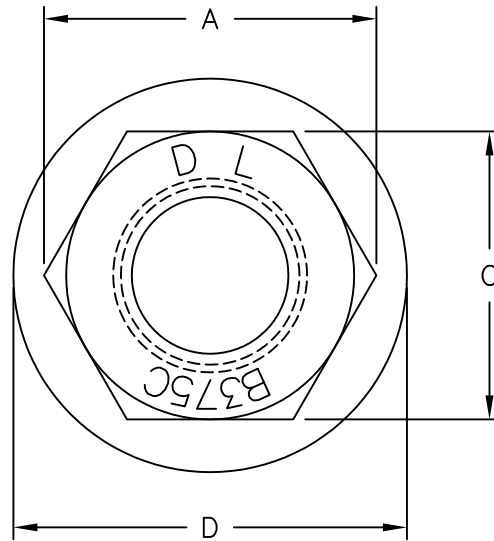
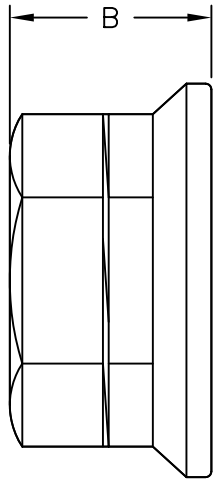


REVISIONS				
ZONE	REV	DESCRIPTION	DATE	APPROVED



PART # NSC203-01-565	A IN.	B IN.	C IN.	D IN.
PART NAME 3/8" 16UNC DISC-LOCK NUT	.682 .654	.433 Ref.	.590 .580	.790 Ref.



MATERIAL: 1035/45 STEEL

NOTES: HEAT TREATMENT HRC 28-36
COATING: MAGNI 565

NAME <i>DISC-LOCK Nut</i>			
SIZE A	FSCM NO.	DWG NO. NSC203-01-565	REV
SCALE	N.T.S.	SHEET	1